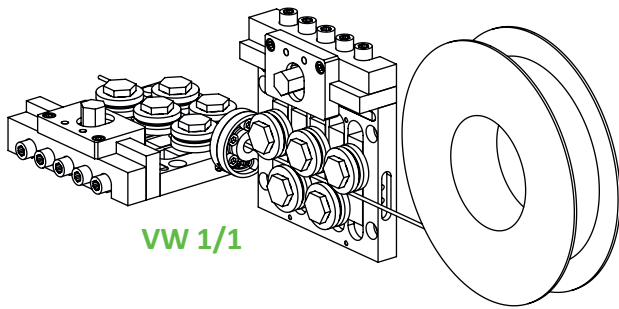


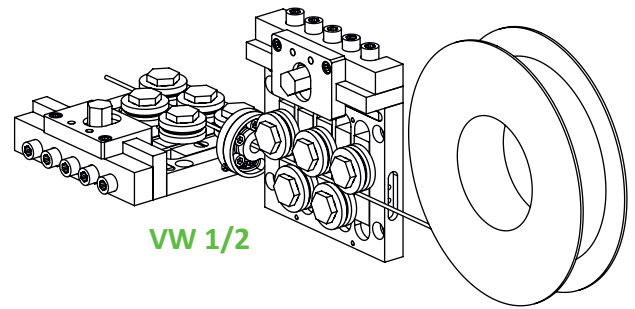
Techna STRAIGHTENERS (WIRE & STRIP)

VW configurations for RT and RTS Series Straighteners

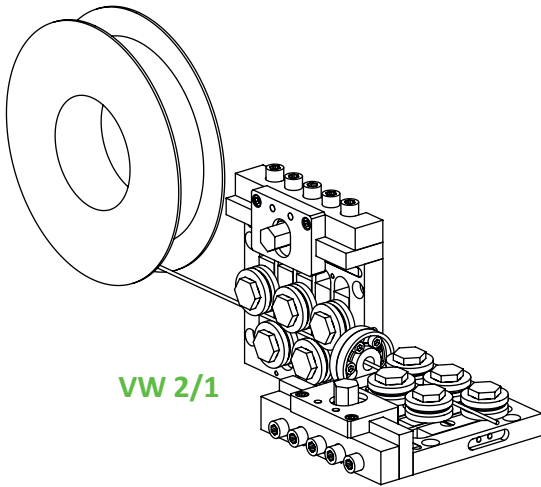
Due to multiple options available the RT and RTS units provide greater accessibility regardless of spool orientation.



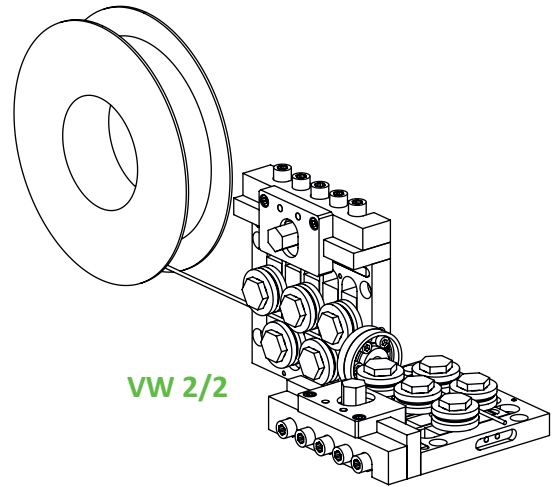
VW 1/1



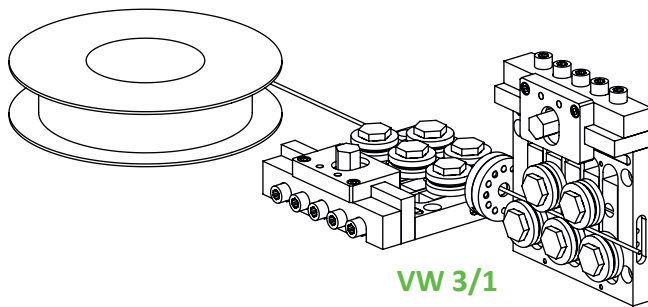
VW 1/2



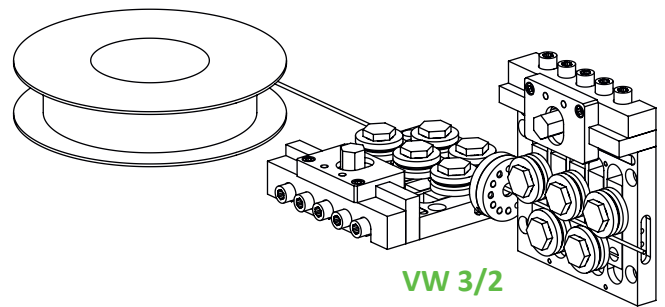
VW 2/1



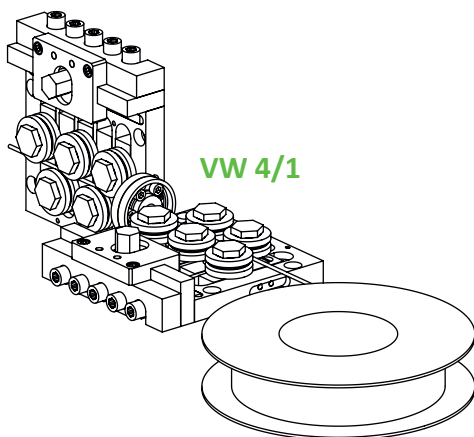
VW 2/2



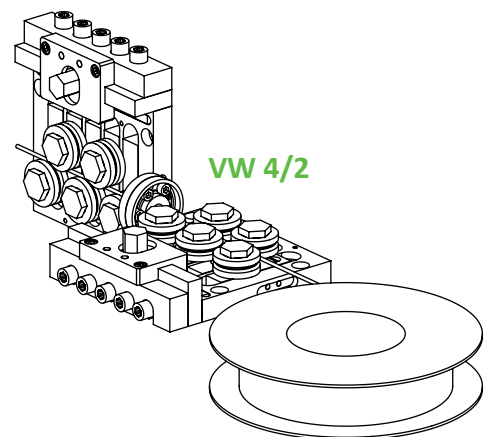
VW 3/1



VW 3/2

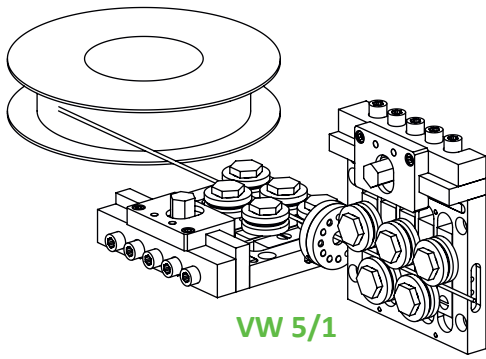


VW 4/1

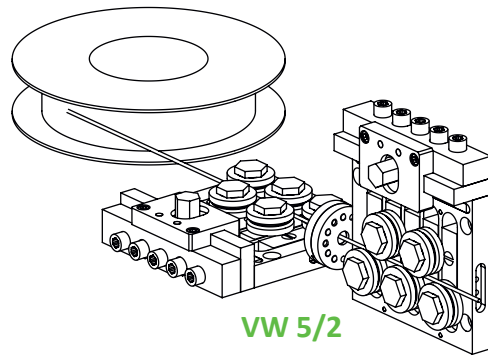


VW 4/2

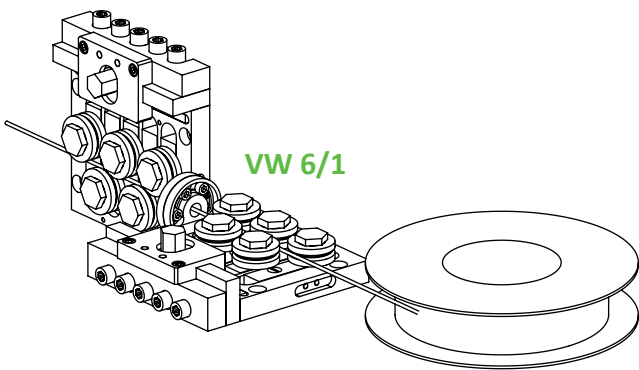
Techna STRAIGHTENERS (WIRE & STRIP)



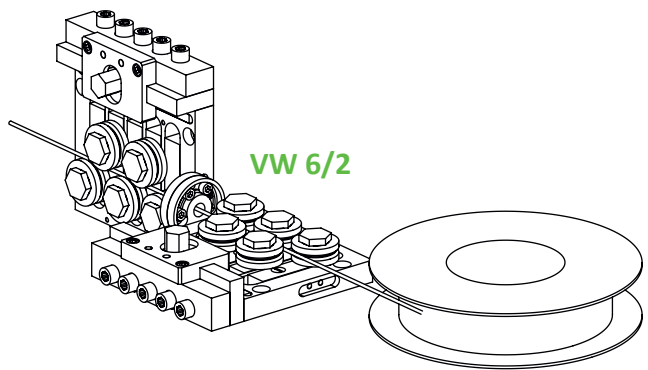
VW 5/1



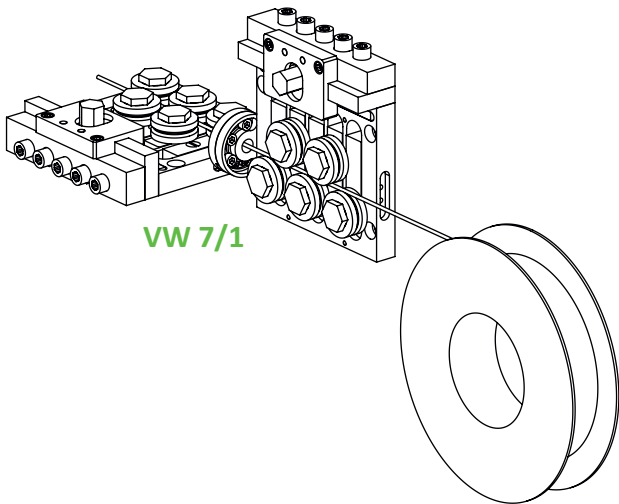
VW 5/2



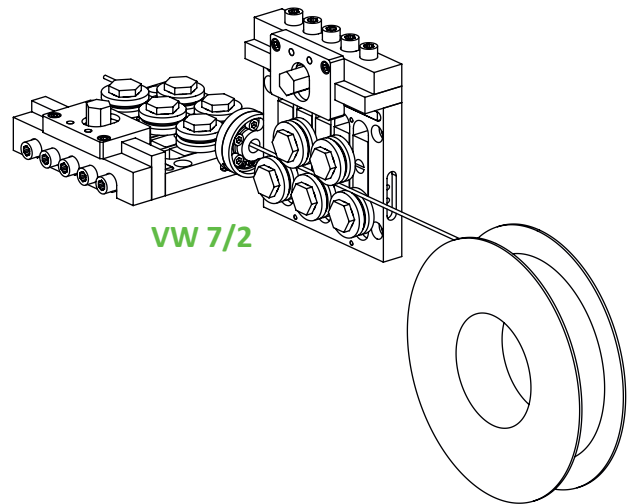
VW 6/1



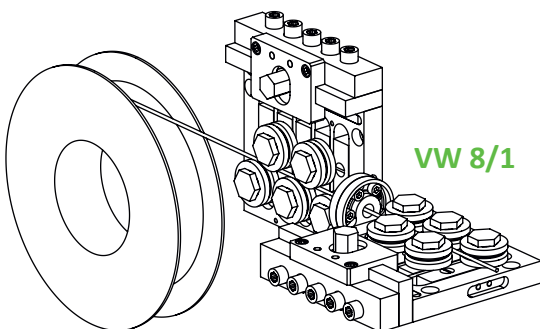
VW 6/2



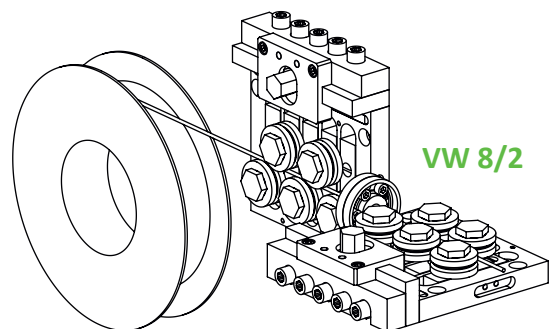
VW 7/1



VW 7/2



VW 8/1



VW 8/2